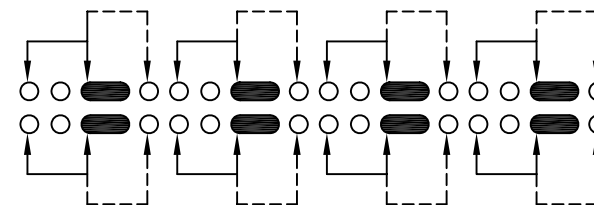
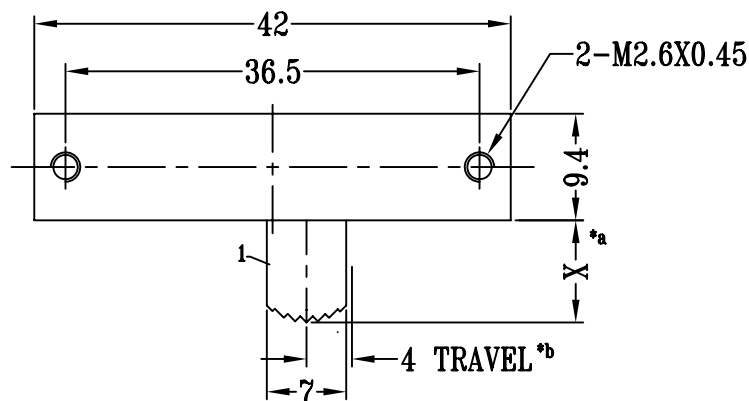
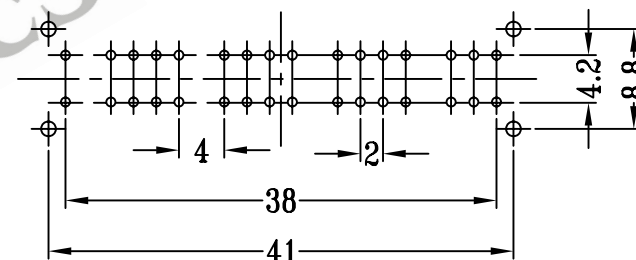
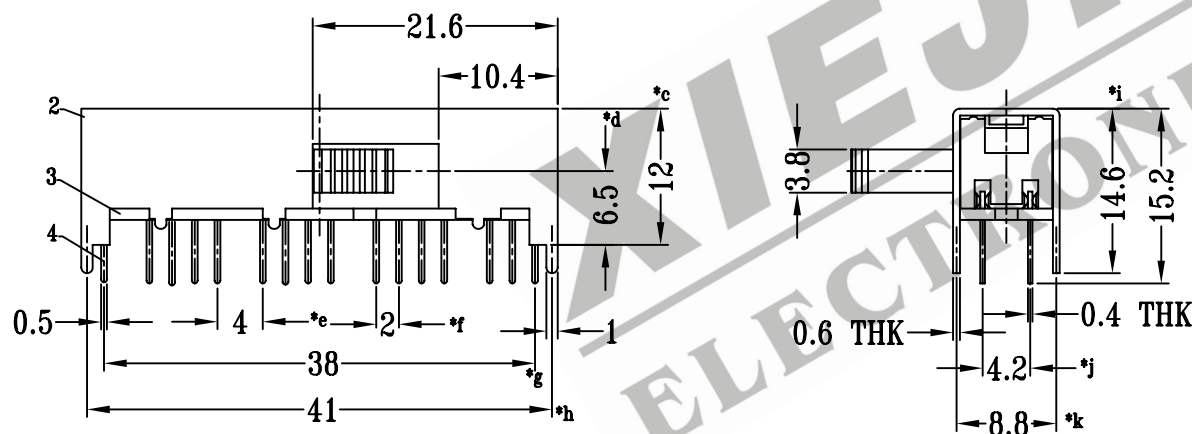


CAD FILE:



SCHMATIC (NOT-SPECIFIED)



P.C.B LAYOUT

注:带"\*"表示关键尺寸(7个)

8					TOLERANCE UNLESS SPECIFIED	SHENZHEN XIEJIA ELECTRONICS CO.,LTD.				
7	CONTACT (CLIP)	PBS STRIP	8	Ag PLATED	WITHIN: 1.5±0.1mm OVER : 1.5±0.2mm	ISSUE	DATE	DESCRIPTIONS		APPD
6	STEEL BALL	STEEL	1	NATURAL		TITLE: HORIZONTAL SLIDE SWITCH	UNIT : MM	DRWG NO.: XJ-DR-SK82H02-00		
5	SPRING	STEEL WIRE	1	TEMPER	MODEL: SK-82H02	SCALE: 3:2	DWN	ZHOUYU	2001-8-5	
4	TERMINAL	BRASS STRIP	32	Ag PLATED OVER Ni PLATED	ALL MATERIALS MUST BE COMPLIANT TO ROHS	CHK'D		FANGYING	2001-8-5	
3	TERMINAL BASE	PHENOLIC RESIN	1	NATURAL		APPD		KANGXINAN	2001-8-5	
2	FRAME	STEEL STRIP	1	Ni PLATED						
1	KNOB	POM	1	BLACK						
NO.	PART NAME	MATERIAL	QTY	FINISHING						